

DHI-ITC215-PW4I-IRLZF27135(Pole Mount)

2 Megapixel Full HD AI Access ANPR Camera



- 1/2.8 inch 2Megapixel Progressive scan CMOS
- WDR, Day/Night(ICR), 3DNR,BLC, HLC
- H.265& H.264 dual-stream encoding
- Micro SD memory
- Powerful 2.7-13.5mm motorized lens and IR light, ideal for monitor ANPR distance 3-8m
- IP67, and superior performance for outdoor applications
- Embedded with LPR algorithm inside the camera
- Vehicle data structuring: license plate recognition, vehicle size, vehicle color detection and etc.

Overview

The 2-megapixel CMOS full HD AI access ANPR camera with the features as high color restoration, low illuminance and build-in IR light, can be used in parking and access control scenario. In standard entrance scenario(refer to the installation guide), It can detect the vehicles from the video with over 99% capture rate, recognize the plate in low speed less than 40kmh and structure the vehicle data with the embedded deep learning algorithm. Besides, with whitelist inside, this camera can control the barrier open by itself.

Function

High vehicle capture rate

With build-in vehicle deep learning algorithm, in the standard entrance scenario(refer to the installation guide), the camera can achieve very high vehicle capture rate ($\geq 99\%$ for vehicle front face) from the video in day and night. As the algorithm is based on vehicle model, the camera can also capture the vehicle with dirty plate and even without plate when the vehicle approaches or leaves. It is recommended to use the camera to capture the vehicle front face and within 40kmh.

World-wide license plate recognition

The camera can provide the high performance license plate recognition for world-wide. The majority countries and areas in Europe, South America, Mid and South Asia, and etc., are supported. The AI ANPR camera will provide a cutout snapshot of plate, the vehicle overview image and also record the surveillance video.

Metadata

With the leading deep learning algorithm, the camera can provide the structuring data from the vehicles, including vehicle direction, vehicle size and vehicle color detection (in daytime). These data can also be overlay on the vehicle images.



Embedded White List

Embedded with whitelist inside the camera, the camera can control the barrier opened by relay out port if the plate number recognized is in the whitelist. Support to import the list with a batch as much as 10000 records.

Excellent image quality

Embedded with leading image processing and wide dynamic range (WDR) technology, clear image of vehicle and plate detail can be achieved even in the night and most intense contrast lighting conditions. With True WDR (120Db), the camera can prevent the impact of head light when the vehicles approach in night (The camera installation height should between 1.2m~2m).

Adequate physical interface

The device supports external one channel HDCVI video stream input, which can connect to an extra camera for video surveillance on the entrance or behind the barrier.

3 ports to control the barrier and 3 port for the alarm input, which can support traditional trigger methods like loop detector.

Special design

The new pole mount accessory is exactly designed for the 1.2m height standard entrance scenario. With special designed camera structure and pole accessory, the new pole mount solution can provide customer a simpler appearance, which also is waterproof and vandal resistant.

Technical Specification

Camera

| | |
|--------------------------|--|
| Image Sensor | 1/2.8 inch 2 Megapixel CMOS |
| Effective Pixels | 2MP, 1920(H) x 1080(V) |
| Scanning System | Progressive |
| Minimum Illumination | 0.005Lux/F1.3 (Color),0Lux/F1.3(IR on) |
| Electronic Shutter Speed | 1/50~1/10000 |
| IR Light Distance | Up to 12M |
| IR light LEDs | 6 |

Lens

| | |
|---------------|--------------------------|
| Lens Type | Motorized/ Auto Iris(DC) |
| Mount Type | Board-in Type |
| Focal Length | 2.7mm~13.5mm |
| Max Aperture | F1.3 |
| Angle of View | H: 119°~ 32° V:65 ° ~18° |
| Focus control | Auto |
| ANPR Distance | 3-8M |

Intelligence

| | |
|--------------------------|---|
| LPR Function | Embedded with Deep learning LPR engine |
| Vehicle Detection | Supports vehicle video detection with high detection rate; supports vehicle direction detection |
| Vehicle data structuring | license plate recognition, vehicle size, vehicle color detection and etc. |
| Vehicle size detection | Supports 11 vehicle sizes detection:large bus, heavy truck, medium truck, sedan, minivan, light truck, SUV, MPV, medium bus, pick-up and minicar. |
| Vehicle color detection | Supports 11 colors detection(daytime):white, black, blue, red, yellow, green, pinkish purple, gray, brown, orange and silver. |
| Detection model | Supports Video detection or loop detection |
| Snapshot | Overview and cutout of plate for picture |
| OSD overlay | Time, place, plate number, etc. |
| White list | 10000 records database inside the camera |
| Barrier control | Relay out to control the barrier |

Interface

| | |
|-----------------|--------------------|
| Audio Interface | 1 Input/1 Output |
| RS485 | 2 |
| Alarm | 3/3 channel In/Out |

Video

| | |
|------------------|---|
| Compression | H.265/H.264M/H.264H/H.264B |
| Resolution | 1080P(1920x1080) / 720P(1280x720) / D1(704x576) |
| Frame Rate | Main Stream: 1080P(1 ~ 25/30fps) Sub Stream: 720P/ D1 (1 ~ 25/30fps) |
| Bit Rate Control | CBR, VBR |
| Bit Rate | 32 ~ 16384 Kbps |
| Day/Night | Auto(ICR) / Color / B/W |
| Dual Stream | Support, Main stream and sub stream |
| White Balance | Auto/Manual |
| Gain Control | Auto/Manual |
| Noise Reduction | 3D |

Network

| | |
|---------------------|--|
| Ethernet | RJ-45 (100/1000Base-T) |
| Interoperability | CGI, SDK, Onvif |
| Max. User Access | 20 |
| Web Viewer | IE8,IE9,IE10,IE11,Chrome V33, V41 |
| Protocol | IPv4/IPv6, HTTP, TCP/IP, UDP, NTP, DHCP, DNS |
| Edge Storage | Micro SD, Max 64GB Status Display Local PC for Instant Recording |
| Management Software | PMS |

Certifications

| | |
|----------------|-----------|
| Certifications | CE FCC |
|----------------|-----------|

Environmental

| | |
|----------------------|-------------------------------|
| Operating Conditions | -30°C~+65°C, Less than 90% RH |
| Ingress Protection | IP67 |

Construction

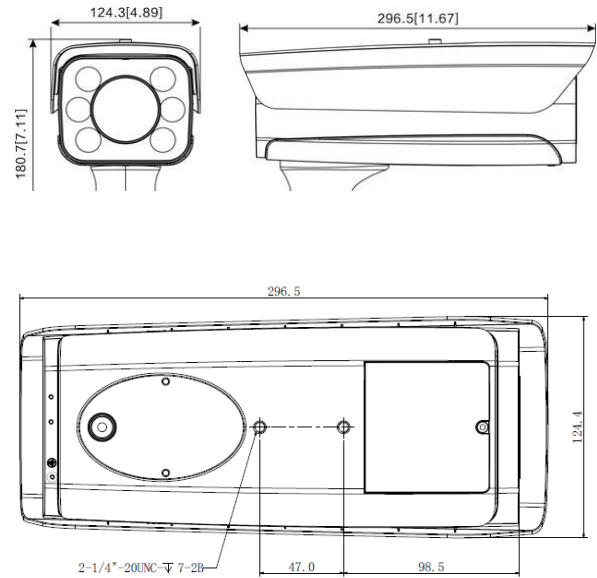
| | |
|--------------------|-----------------------|
| Dimensions(Camera) | 297mm × 124mm × 180mm |
| Weight(Camera) | 2.5kg |
| Dimensions(Pole) | H=1278mm φ=60mm |
| Weight(Pole) | 6.7kg |

Eelectrical

Ordering Information

| Type | Part Number | PN | Description |
|------------|--|---|---|
| 2MP camera | DHI-ITC215-PW4I-IRLZF27135(Pole Mount) | 1.0.01.09.11747 1.0.01.09.11749(DHI) | 2 Megapixel Full HD AI Access ANPR Camera |
| Pole | IPMAE9-0100A | 1.0.01.09.11756 | 1200mm pole |

Dimensions without Bracket(mm/inch)



Dimensions with Bracket(mm/inch)

